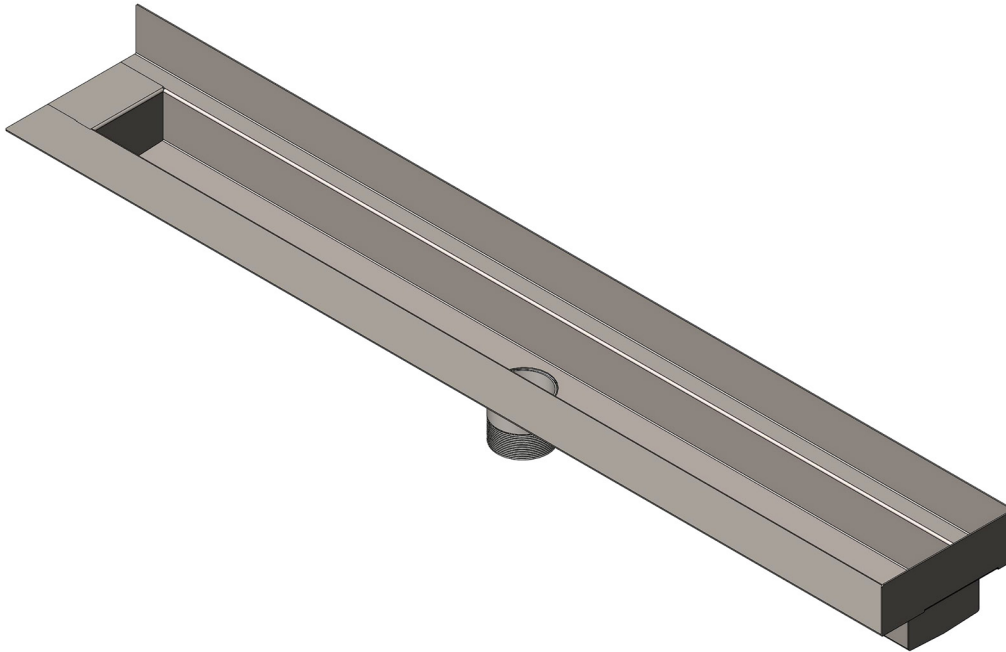


PRICE LIST TYPE E STAINLESS STEEL DRAIN



Designed by McKinna Sheetmetal this Stainless Steel drain is perfect for bathrooms, balconies or anywhere you need a drainage solution. This product is completely tailored to suit your requirements, just fill in our standard drain form over the page.

- Produced from 304 Stainless Steel
- Available up to 120mm wide and 6000mm Long
- Custom drains varying from standard order form may be subject to extra charges. Please contact McKinna for a price.

Item Code	Description	Price
SSD-1	Up to 1200mm Long	\$350 + GST
SSD-2	1201-1500mm Long	\$365 + GST
SSD-3	1501-1800mm Long	\$380 + GST
SSD-4	1801-2400mm Long	\$405 + GST
SSD-5	2401-3000mm Long	\$435 + GST
SSD-6	3001-3600mm Long	\$480 + GST
SSD-7	3601-4500mm Long	\$595 + GST
SSD-8	4501-6000mm Long	\$675 + GST

ORDER FORM TYPE E STAINLESS STEEL DRAIN

OFFICE USE ONLY

INVOICE NUMBER

000000

DATE ORDERED

00/00/0000

COST

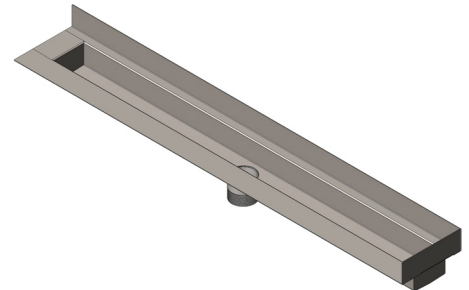
\$000.00

Customer Name:	Ordered By:
Telephone:	Purchase Order:
Email:	
Delivery Address:	

All orders are subject to our terms, for more details please visit mckinnagroup.com.au/orderterms

Qty			
Description		Standard	Custom
Overall Length		N/A	
A	Drain Depth	50mm	
B	Tile Flange	20mm	
C	Base	78mm	
D	Wall Flange	50mm	
E	Floor Flange	50mm	
F	Outlet Dia	50mm BSP	
G	Outlet Position	Central	

Material Type/Thickness
Stainless Steel 304 1.20mm Thick



Note: 50mm BSP male threaded outlet to suit female PVC Waste connector.
Pops Available. Please nominate.

