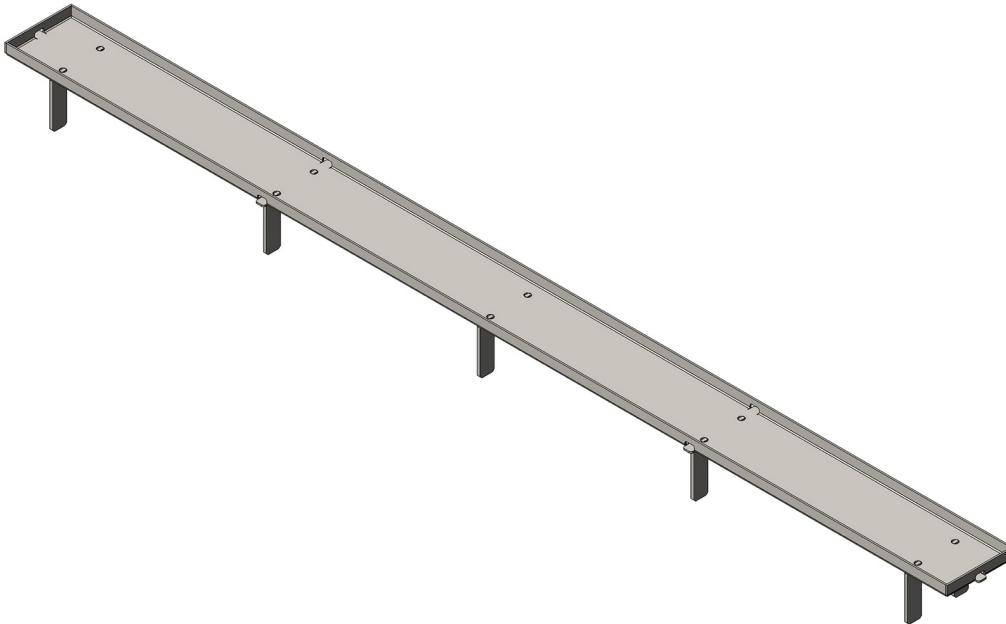


PRICE LIST TILE INSERT DRAIN GRATE



This Architectural grate is suited for use in a domestic environment, and is available up to two metres long in a single piece. The grate can be integrated into any one of our stainless steel drains or directly into a concrete extrusion.

- Produced from 304 no.4 Stainless Steel
- Available up to 120mm wide and 2000mm Long
- Can be tapered in height and width

SATIN FINISH

Item Code	Description	Price
SSTDG-1	Up to 1200mm Long	\$310 + GST
SSTDG-2	1201-1500mm Long	\$325 + GST
SSTDG-3	1501-2000mm Long	\$345 + GST

ORDER FORM TILE INSERT DRAIN GRATE

OFFICE USE ONLY

INVOICE NUMBER

000000

DATE ORDERED

00/00/0000

COST

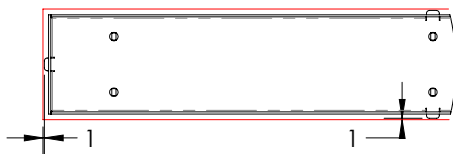
\$000.00

Customer Name:	Ordered By:
Telephone:	Purchase Order:
Email:	
Delivery Address:	

All orders are subject to our terms, for more details please visit mckinnagroup.com.au/orderterms

Qty	Description	Dimensions in mm
	Overall Drain Length	
A	LHS Drain Depth	
B	RHS Drain Depth	
C	LHS Drain Width	
D	RHS Drain Width	
E	Tray Depth (Internal)	10mm or Custom _____

Material Type
Stainless Steel 304



Note:

Please provide tight inside dimensions of your drain.
Allowance for grate clearance of 1.00mm will be made
based on these dimensions. (Red line = Internal of drain)

