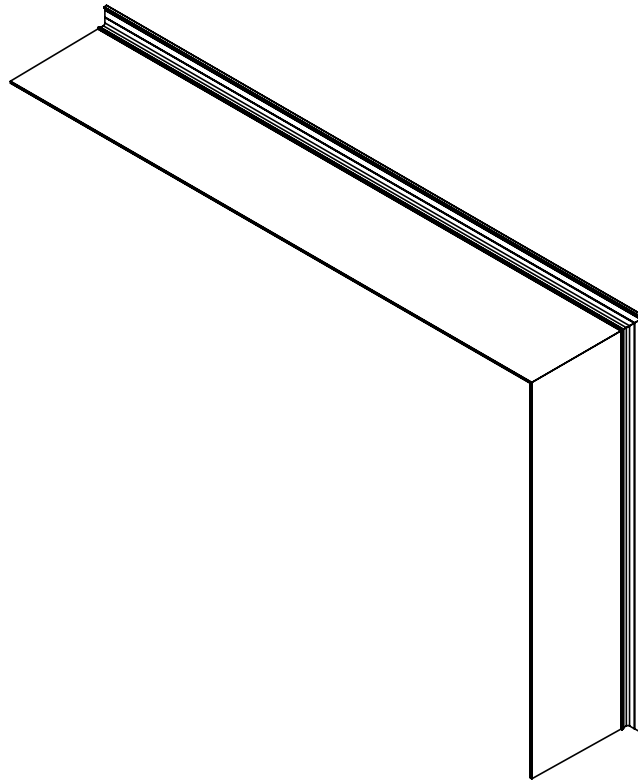


SUNBLADE AIR SHROUD

SB-AIR-2AR
ANGLE RIGHT
CONFIGURATION

ORDER FORM

The SB-AIR-2AR configuration of the SUNBLADE AIR Shroud comprises of a 2 sided build. Introducing our latest lightweight innovation, crafted from a specialised extruded profile to offer a slim and sleek appearance without compromising on durability. This design ensures optimal wind resistance, blending aesthetic appeal with practical functionality. SUNBLADE shrouds adhere to Australian standards and provide consideration for building sustainability through solar shading.



Category	Shroud	Supplied As	Welded Unit
Profile Name	SUNBLADE AIR SHROUD	Inclusions	Cover
Profile	Fixed 60mm (10mm-5mm Taper Nose)	Profile Depth	Fixed 300mm
Material	Aluminium 6063 T5	Material Weight	6.9 kg/m ²
Max Height	6440mm*	Density	2.70g/m ³
Max Width	6440mm*	Wind Rating	25m Above Ground
Fixing Flange	Fixed 50mm Flange	Certification	AS1530.3
Fixing Suitability	Steel, LGS, Timber, Concrete & Brick	Sides	2

It is the responsibility of the customer to ensure compliance with specific project requirements, wind ratings and that the structural integrity of the building and substrate structure is suitable for connection of the window shroud. The site engineer is responsible for reviewing and confirming all installation instructions, fixings and drawings. Engineering certificate is not included as standard.

*Maximum Height and Widths may be limited by and/or determined by combinations that exceed engineering, material length and/or powder coat limitations.

Brand names, designs and content in this document are strictly copyright © 2024 McKinna Group ABN 51 088 110 169 McKinna Group are not liable for any errors, omissions, or inaccuracies in the information or for any decisions or actions taken in reliance on the information. We reserve the right to update, change, or correct any information at any time without notice.

VISIT US ONLINE
[MCKINNAGROUP.COM.AU](https://www.mckinnagroup.com.au)

HEAD OFFICE
116 MALCOLM ROAD, BRAESIDE
VICTORIA 3195 AUSTRALIA

CONNECT
sales@mckinnagroup.com.au
03 9580 4440

MCKINNA

SUNBLADE AIR SHROUD

SB-AIR-2AR
ANGLE RIGHT
CONFIGURATION

ORDER FORM

Quantity

Inside Width

A mm

Min 100mm Max 6440mm

Inside Height

B mm

Min 100mm Max 6440mm

Depth

C 300mm Fixed

Flange

D 50mm Fixed

Coating Brand

Coating Range

Coating Colour

Guide available online visit mckinnagroup.com.au/coating-colours

Standard Product Warranty

7 Years
Workmanship & Materials

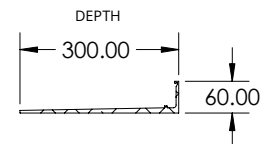
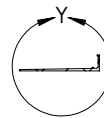
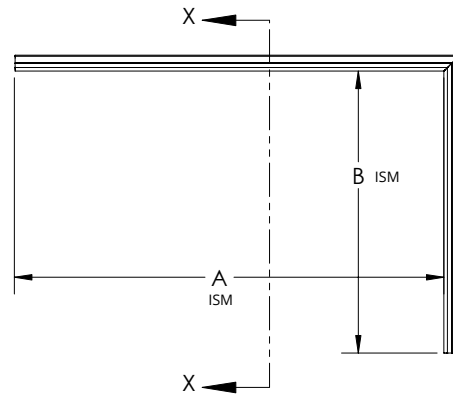
Subject to conditions, further information can
be found at mckinnagroup.com.au/warranty

Extended Coating Warranty

No Yes

Obtaining a specialty warranty from the coating brand is
subject to location, usage, processing fees and approvals.

SECTION VIEW



FIXED PROFILE
FLANGE 50mm
TAPER NOSE
10mm-5mm

CROSS SECTION X-X

DETAIL Y

CUSTOMER INFORMATION

All orders are subject to our Terms and Conditions of Trade, for more details please visit mckinnagroup.com.au/orderterms

Company Name

Full Name - Order Request

Telephone

Email Address

Project Name

Project Location

Delivery Address

VISIT US ONLINE
MCKINNAGROUP.COM.AU

HEAD OFFICE
116 MALCOLM ROAD, BRAESIDE
VICTORIA 3195 AUSTRALIA

CONNECT
sales@mckinnagroup.com.au
03 9580 4440

MCKINNA