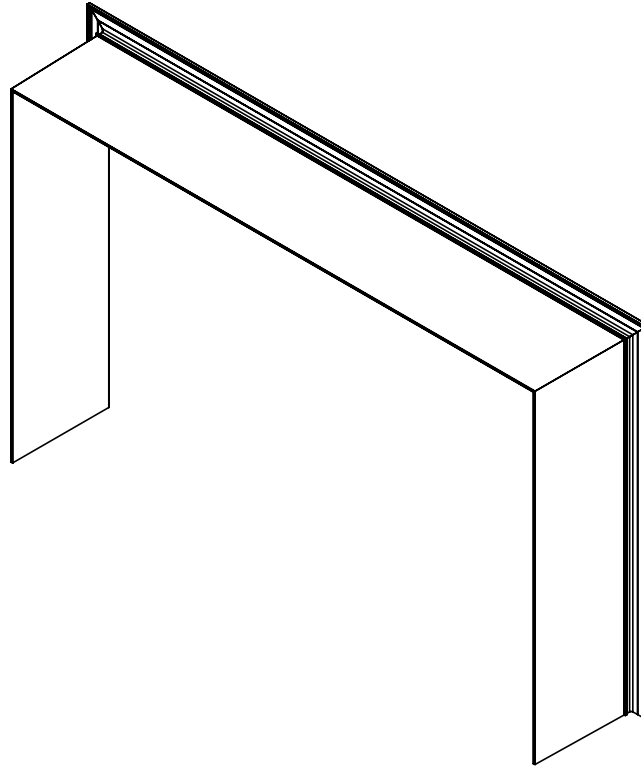


SUNBLADE AIR SHROUD

SB-AIR-3OB
OPEN BOTTOM
CONFIGURATION

ORDER FORM

The SB-AIR-3OB configuration of the SUNBLADE AIR Shroud comprises of a 3 piece build. Introducing our latest lightweight innovation, crafted from a specialised extruded profile to offer a slim and sleek appearance without compromising on durability. This design ensures optimal wind resistance, blending aesthetic appeal with practical functionality. SUNBLADE shrouds adhere to Australian standards and provide consideration for building sustainability through solar shading.



| | | | |
|---------------------------|--------------------------------------|------------------------|-----------------------|
| Category | Shroud | Supplied As | Welded Unit |
| Profile Name | SUNBLADE AIR SHROUD | Inclusions | Cover |
| Profile | Fixed 60mm (10mm-5mm Taper Nose) | Profile Depth | Fixed 300mm |
| Material | Aluminium 6063 T5 | Material Weight | 6.9 kg/m ² |
| Max Height | 6440mm* | Density | 2.70g/m ³ |
| Max Width | 6380mm* | Wind Rating | 25m Above Ground |
| Fixing Flange | Fixed 50mm Flange | Certification | AS1530.3 |
| Fixing Suitability | Steel, LGS, Timber, Concrete & Brick | Sides | 3 |

It is the responsibility of the customer to ensure compliance with specific project requirements, wind ratings and that the structural integrity of the building and substrate structure is suitable for connection of the window shroud. The site engineer is responsible for reviewing and confirming all installation instructions, fixings and drawings. Engineering certificate is not included as standard.

*Maximum Height and Widths may be limited by and/or determined by combinations that exceed engineering, material length and/or powder coat limitations.

Brand names, designs and content in this document are strictly copyright © 2024 McKinna Group ABN 51 088 110 169 McKinna Group are not liable for any errors, omissions, or inaccuracies in the information or for any decisions or actions taken in reliance on the information. We reserve the right to update, change, or correct any information at any time without notice.

VISIT US ONLINE
[MCKINNAGROUP.COM.AU](https://www.mckinnagroup.com.au)

HEAD OFFICE
116 MALCOLM ROAD, BRAESIDE
VICTORIA 3195 AUSTRALIA

CONNECT
sales@mckinnagroup.com.au
03 9580 4440

MCKINNA

SUNBLADE AIR SHROUD

SB-AIR-30B
OPEN BOTTOM
CONFIGURATION

ORDER FORM

Quantity

Inside Width

A mm

Min 100mm Max 6440mm

Inside Height

B mm

Min 100mm Max 6380mm

Depth

C 300mm Fixed

Flange

D 50mm Fixed

Coating Brand

Coating Range

Coating Colour

Guide available online visit mckinnagroup.com.au/coating-colours

Standard Product Warranty

7 Years
Workmanship & Materials

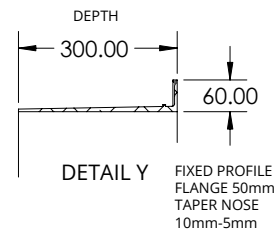
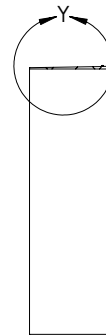
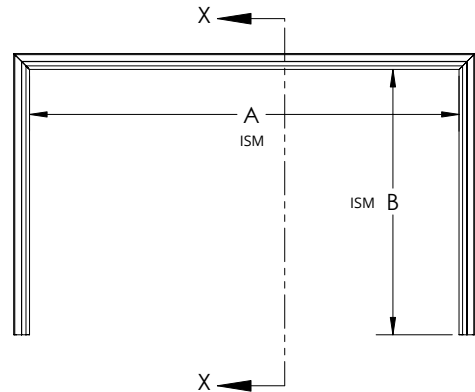
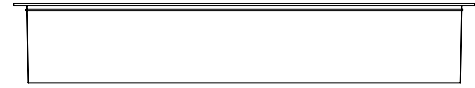
Subject to conditions, further information can
be found at mckinnagroup.com.au/warranty

Extended Coating Warranty

No Yes

Obtaining a specialty warranty from the coating brand is
subject to location, usage, processing fees and approvals.

SECTION VIEW



CROSS SECTION X-X

CUSTOMER INFORMATION

All orders are subject to our Terms and Conditions of Trade, for more details please visit mckinnagroup.com.au/orderterms

Company Name

Full Name - Order Request

Telephone

Email Address

Project Name

Project Location

Delivery Address

VISIT US ONLINE
MCKINNAGROUP.COM.AU

HEAD OFFICE
116 MALCOLM ROAD, BRAESIDE
VICTORIA 3195 AUSTRALIA

CONNECT
sales@mckinnagroup.com.au
03 9580 4440

MCKINNA