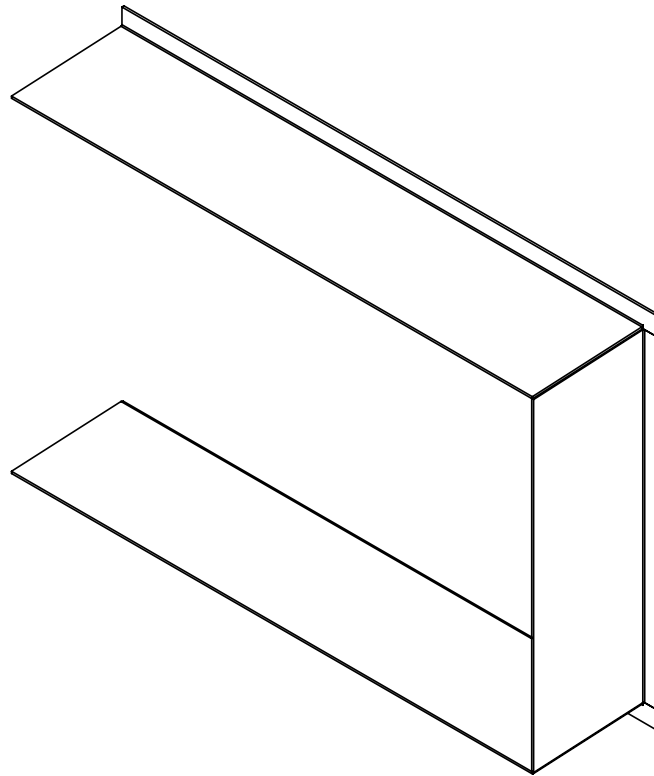


# SUNBLADE ARC SHROUD

**SB-ARC-3OSL**  
OPEN SIDE LEFT  
CONFIGURATION

## ORDER FORM

The SB-ARC-3OSL configuration of the SUNBLADE ARC Shroud comprises of a 3 sided build. Intentionally developed to support the broadest range of architectural projects. This series is tailor-made for architects who require a full array of customisation. SUNBLADE shrouds adhere to Australian standards and provide consideration for building sustainability through solar shading.



<b>Category</b>	Shroud	<b>Supplied As</b>	Welded Unit
<b>Profile Name</b>	SUNBLADE ARC SHROUD	<b>Profile Depth</b>	50mm - 650mm
<b>Profile</b>	6.0mm	<b>Standard Profile Depth</b>	300mm / 550mm
<b>Material</b>	Aluminium 5005 H34	<b>Material Weight</b>	16.26 kg/m <sup>2</sup>
<b>Max Height</b>	6000mm*	<b>Density</b>	2.71g/m <sup>3</sup>
<b>Max Width</b>	6000mm*	<b>Wind Rating</b>	13m Above Ground
<b>Fixing Flange</b>	50mm - 200mm	<b>Certification</b>	AS1530.1 + AS1530.3
<b>Fixing Suitability</b>	Steel, LGS, Timber, Concrete & Brick	<b>Sides</b>	3

It is the responsibility of the customer to ensure compliance with specific project requirements, wind ratings and that the structural integrity of the building and substrate structure is suitable for connection of the window shroud. The site engineer is responsible for reviewing and confirming all installation instructions, fixings and drawings. Engineering certificate is not included as standard.

\*Maximum Height and Widths may be limited by and/or determined by combinations that exceed engineering, material length and/or powder coat limitations.

Brand names, designs and content in this document are strictly copyright © 2024 McKinna Group ABN 51 088 110 169 McKinna Group are not liable for any errors, omissions, or inaccuracies in the information or for any decisions or actions taken in reliance on the information. We reserve the right to update, change, or correct any information at any time without notice.

VISIT US ONLINE  
[MCKINNAGROUP.COM.AU](https://www.mckinnagroup.com.au)

HEAD OFFICE  
116 MALCOLM ROAD, BRAESIDE  
VICTORIA 3195 AUSTRALIA

CONNECT  
[sales@mckinnagroup.com.au](mailto:sales@mckinnagroup.com.au)  
03 9580 4440

**MCKINNA**

# SUNBLADE ARC SHROUD

**SB-ARC-30SL**  
OPEN SIDE LEFT  
CONFIGURATION

## ORDER FORM

Quantity	<input type="text"/>
----------	----------------------

### Inside Width

<b>A</b>	<input type="text"/>	mm
----------	----------------------	----

Min 100mm Max 6000mm

### Inside Height

<b>B</b>	<input type="text"/>	mm
----------	----------------------	----

Min 100mm Max 6000mm

### Depth

<b>C</b>	<input type="text"/>	mm
----------	----------------------	----

Min 50mm Max 650mm

### Flange

<b>D</b>	<input type="checkbox"/> 50mm	<input type="checkbox"/> 100mm	<input type="text"/>	mm
----------	-------------------------------	--------------------------------	----------------------	----

If Depth exceeds 550mm,  
Flange minimum is 100mm

Custom Range Max 200mm

### Coating Brand

### Coating Range

### Coating Colour

Guide available online visit [mckinnagroup.com.au/coating-colours](http://mckinnagroup.com.au/coating-colours)

### Standard Product Warranty

7 Years  
Workmanship & Materials

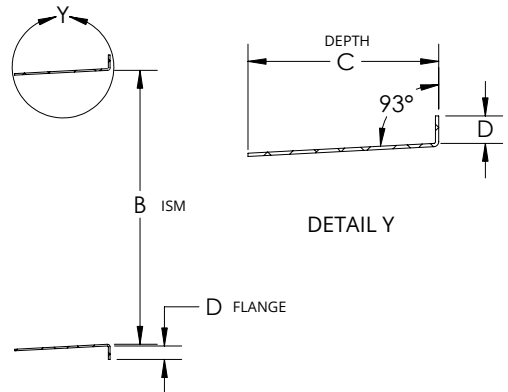
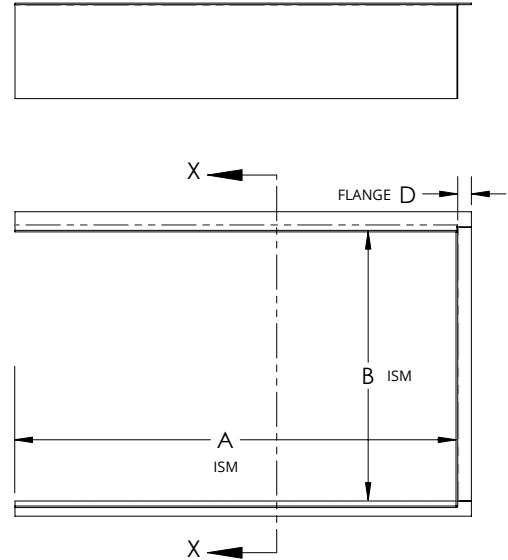
Subject to conditions, further information can  
be found at [mckinnagroup.com.au/warranty](http://mckinnagroup.com.au/warranty)

### Extended Coating Warranty

No  Yes

Obtaining a specialty warranty from the coating brand is  
subject to location, usage, processing fees and approvals.

## SECTION VIEW



CROSS SECTION X-X

## CUSTOMER INFORMATION

All orders are subject to our Terms and Conditions of Trade, for more details please visit [mckinnagroup.com.au/orderterms](http://mckinnagroup.com.au/orderterms)

### Company Name

### Telephone

### Project Name

### Delivery Address

### Full Name - Order Request

### Email Address

### Project Location

VISIT US ONLINE  
[MCKINNAGROUP.COM.AU](http://MCKINNAGROUP.COM.AU)

HEAD OFFICE  
116 MALCOLM ROAD, BRAESIDE  
VICTORIA 3195 AUSTRALIA

CONNECT  
[sales@mckinnagroup.com.au](mailto:sales@mckinnagroup.com.au)  
03 9580 4440

**MCKINNA**