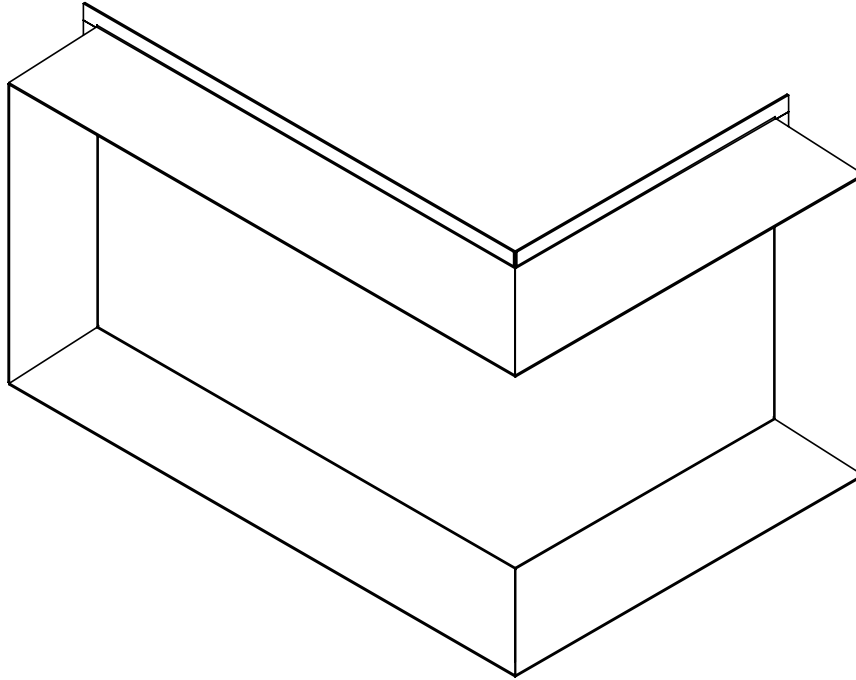


SUNBLADE ARC SHROUD

SB-ARC-6CE
CORNER EXTERNAL
CONFIGURATION

ORDER FORM

The SB-ARC-6CE configuration of the SUNBLADE ARC Shroud comprises of a 6 sided build. Intentionally developed to support the broadest range of architectural projects. This series is tailor-made for architects who require a full array of customisation. SUNBLADE shrouds adhere to Australian standards and provide consideration for building sustainability through solar shading.



Category	Shroud	Supplied As	Welded Unit
Profile Name	SUNBLADE ARC SHROUD	Profile Depth	50mm - 650mm
Profile	6.0mm	Standard Profile Depth	300mm / 550mm
Material	Aluminium 5005 H34	Material Weight	16.26 kg/m ²
Max Height	6000mm*	Density	2.71g/m ³
Max Side Width	6000mm*	Wind Rating	13m Above Ground
Fixing Flange	50mm - 200mm	Certification	AS1530.1 + AS1530.3
Fixing Suitability	Steel, LGS, Timber, Concrete & Brick	Sides	6

It is the responsibility of the customer to ensure compliance with specific project requirements, wind ratings and that the structural integrity of the building and substrate structure is suitable for connection of the window shroud. The site engineer is responsible for reviewing and confirming all installation instructions, fixings and drawings. Engineering certificate is not included as standard.

*Maximum Height and Widths may be limited by and/or determined by combinations that exceed engineering, material length and/or powder coat limitations.

Brand names, designs and content in this document are strictly copyright © 2024 McKinna Group ABN 51 088 110 169 McKinna Group are not liable for any errors, omissions, or inaccuracies in the information or for any decisions or actions taken in reliance on the information. We reserve the right to update, change, or correct any information at any time without notice.

VISIT US ONLINE
[MCKINNAGROUP.COM.AU](https://www.mckinnagroup.com.au)

HEAD OFFICE
116 MALCOLM ROAD, BRAESIDE
VICTORIA 3195 AUSTRALIA

CONNECT
sales@mckinnagroup.com.au
03 9580 4440

MCKINNA

SUNBLADE ARC SHROUD

SB-ARC-6CE CORNER EXTERNAL CONFIGURATION

ORDER FORM

Quantity	<input type="text"/>
----------	----------------------

Inside Width Side 1

A	<input type="text"/>	mm
----------	----------------------	----

Min 100mm Max 6000mm-D-E

Inside Width Side 2

B	<input type="text"/>	mm
----------	----------------------	----

Min 100mm Max 6000mm-D-E

Inside Height

C	<input type="text"/>	mm
----------	----------------------	----

Min 100mm Max 6000mm-E

Depth

D	<input type="text"/>	mm
----------	----------------------	----

Min 50mm Max 650mm

Flange

E	<input type="checkbox"/> 50mm	<input type="checkbox"/> 100mm	<input type="text"/>	mm
----------	-------------------------------	--------------------------------	----------------------	----

If Depth exceeds 550mm,
Flange minimum is 100mm

Custom Range Max 200mm

Angle

F	<input type="checkbox"/> 90°	<input type="text"/>	deg
----------	------------------------------	----------------------	-----

Standard Corner Angle

Custom Angle Min 90° Max 135°

Coating Brand

Coating Range

Coating Colour

Guide available online visit mckinnagroup.com.au/coating-colours

Standard Product Warranty

7 Years
Workmanship & Materials

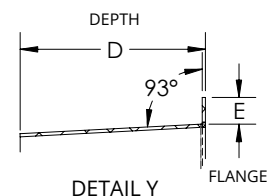
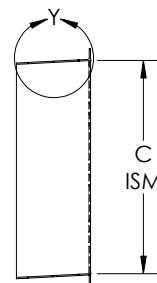
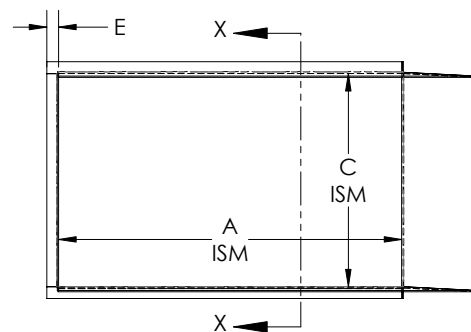
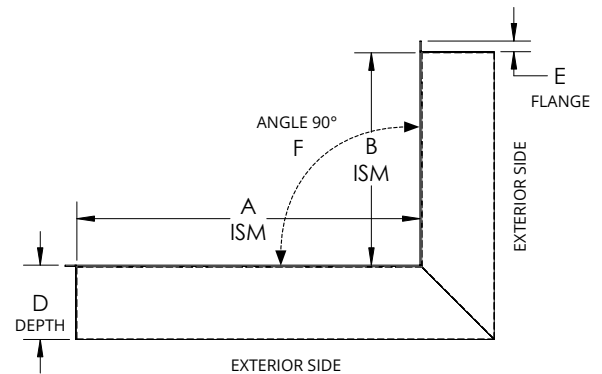
Subject to conditions, further information can
be found at mckinnagroup.com.au/warranty

Extended Coating Warranty

No Yes

Obtaining a specialty warranty from the coating brand is
subject to location, usage, processing fees and approvals.

SECTION VIEW



CROSS SECTION X-X

CUSTOMER INFORMATION

All orders are subject to our Terms and Conditions of Trade, for more details please visit mckinnagroup.com.au/orderterms

Company Name

Telephone

Project Name

Delivery Address

Full Name - Order Request

Email Address

Project Location