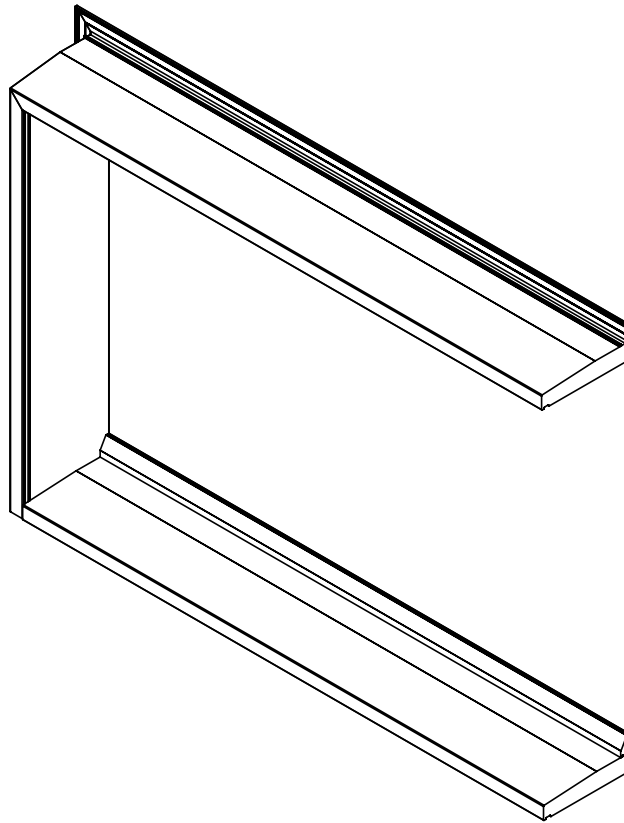


SUNBLADE BOX SHROUD

SB-BOX-3OSR
OPEN SIDE RIGHT
CONFIGURATION

ORDER FORM

The SB-BOX-3OSR configuration of the SUNBLADE BOX Shroud comprises of a 3 sided build. A distinctive, bold aesthetic profile for modern architecture. Crafted from a highly durable extruded profile, providing superior durability and weather resistance. Designed as a robust modular kit, this facilitates secure delivery and assembly; reducing the challenges associated with site specific accuracy. SUNBLADE shrouds adhere to Australian standards and provide consideration for building sustainability through solar shading.



Category	Shroud	Supplied As	Flat Pack + End Plates
Profile Name	SUNBLADE BOX SHROUD	Inclusions	Stakes, Covers & Bracket
Profile	Fixed 100mm (50mm-40mm Taper Nose)	Profile Depth	Fixed 270mm
Material	Aluminium 6060 T5	Material Weight	6.523 kg/m ²
Max Height	6300mm*	Density	2.70g/m ³
Max Width	6400mm*	Wind Rating	25m Above Ground
Fixing Flange	Fixed 50mm Flange	Certification	AS1530.3
Fixing Suitability	Steel, LGS, Timber, Concrete & Brick	Sides	3

It is the responsibility of the customer to ensure compliance with specific project requirements, wind ratings and that the structural integrity of the building and substrate structure is suitable for connection of the window shroud. The site engineer is responsible for reviewing and confirming all installation instructions, fixings and drawings. Engineering certificate is not included as standard.

*Maximum Height and Widths may be limited by and/or determined by combinations that exceed engineering, material length and/or powder coat limitations.

Brand names, designs and content in this document are strictly copyright © 2024 McKinna Group ABN 51 088 110 169 McKinna Group are not liable for any errors, omissions, or inaccuracies in the information or for any decisions or actions taken in reliance on the information. We reserve the right to update, change, or correct any information at any time without notice.

VISIT US ONLINE
[MCKINNAGROUP.COM.AU](https://www.mckinnagroup.com.au)

HEAD OFFICE
116 MALCOLM ROAD, BRAESIDE
VICTORIA 3195 AUSTRALIA

CONNECT
sales@mckinnagroup.com.au
03 9580 4440

MCKINNA

SUNBLADE BOX SHROUD

SB-BOX-30SR
OPEN SIDE RIGHT
CONFIGURATION

ORDER FORM

Quantity

Inside Width

A mm

Min 100mm Max 6400mm

Inside Height

B mm

Min 100mm Max 6300mm

Depth

C 270mm Fixed

Flange

D 50mm Fixed

Coating Brand

Coating Range

Coating Colour

Guide available online visit mckinnagroup.com.au/coating-colours

Standard Product Warranty

7 Years
Workmanship & Materials

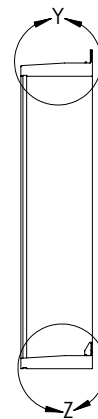
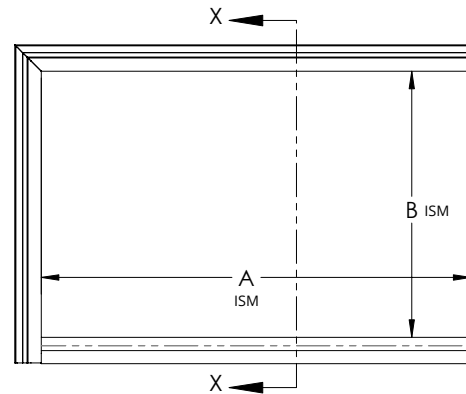
Subject to conditions, further information can
be found at mckinnagroup.com.au/warranty

Extended Coating Warranty

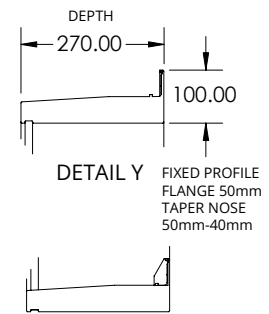
No Yes

Obtaining a specialty warranty from the coating brand is
subject to location, usage, processing fees and approvals.

SECTION VIEW



CROSS SECTION X-X



DETAIL Z

CUSTOMER INFORMATION

All orders are subject to our Terms and Conditions of Trade, for more details please visit mckinnagroup.com.au/orderterms

Company Name

Full Name - Order Request

Telephone

Email Address

Project Name

Project Location

Delivery Address

VISIT US ONLINE
MCKINNAGROUP.COM.AU

HEAD OFFICE
116 MALCOLM ROAD, BRAESIDE
VICTORIA 3195 AUSTRALIA

CONNECT
sales@mckinnagroup.com.au
03 9580 4440

MCKINNA